

PARTS AND ACCESSORIES

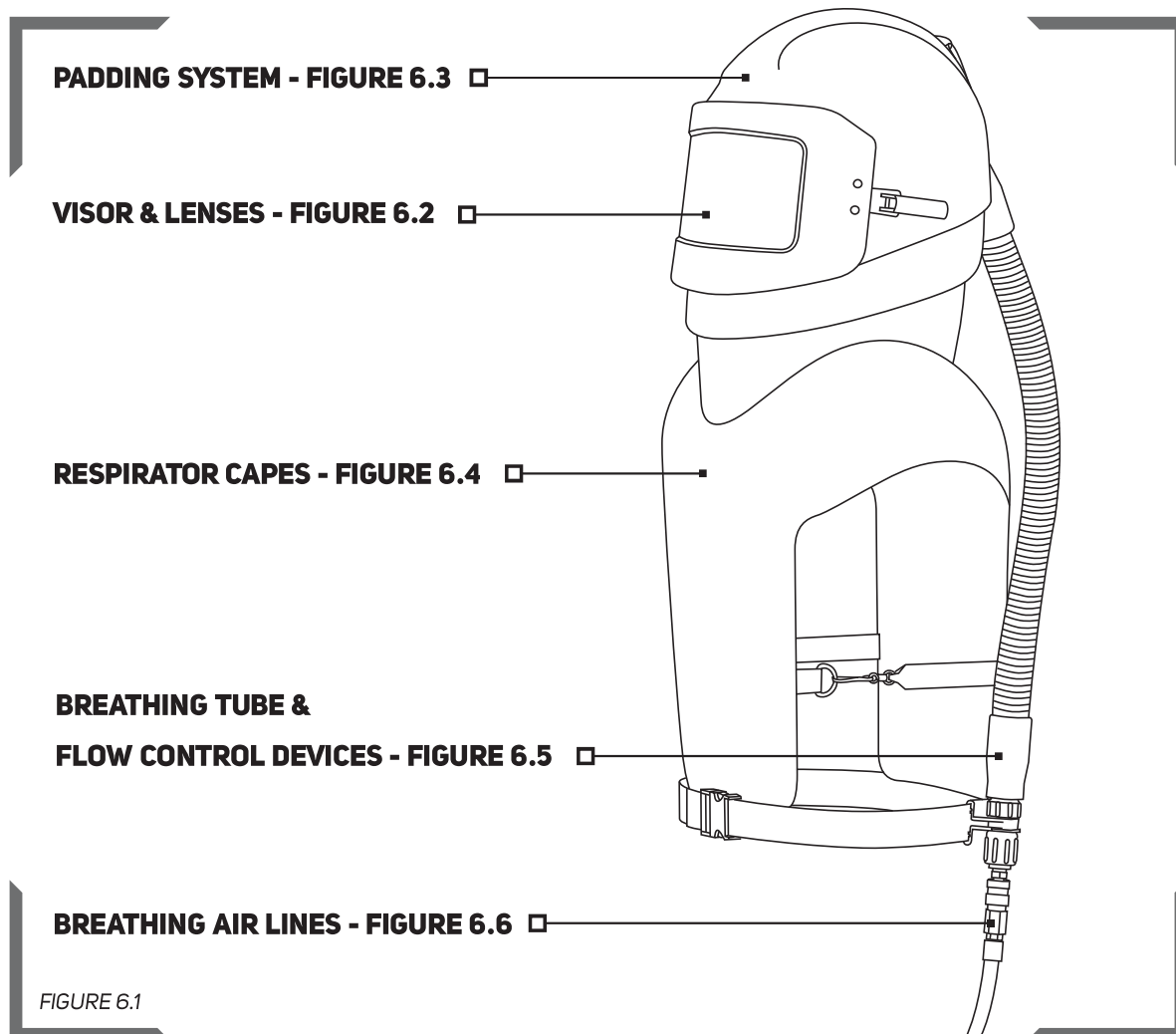


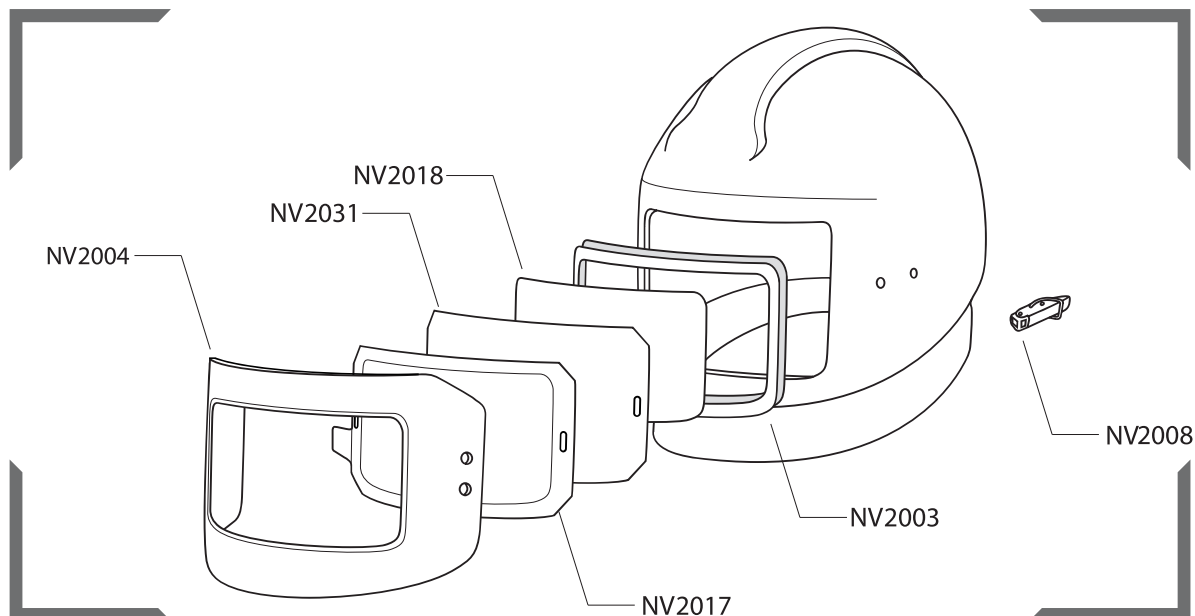
FIGURE 6.1

! WARNING

Use only exact, authentic RPB® replacement parts (marked with the RPB® logo and part number), and only in the specified configuration. Using incomplete or inappropriate equipment, including the use of counterfeit or non-RPB® parts, can result in inadequate protection and will void the EN 14594 (AS/NZS 1716) approval of the entire respirator assembly.

PARTS AND ACCESSORIES CONTINUED

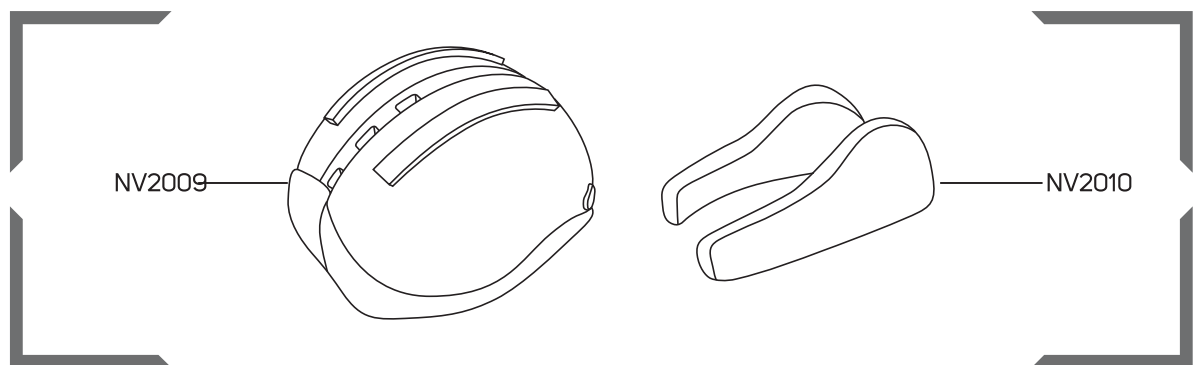
VISOR AND LENSES *FIGURE 6.2*



- NV2003 Window Frame Gasket
- NV2004 Visor with Hinge and Screws
- NV2017 Tearoff Lens Packet 50

- NV2018 Inner Lens Packet 10
- NV2031 Outer Lens Packet 50
- NV2008 Latch

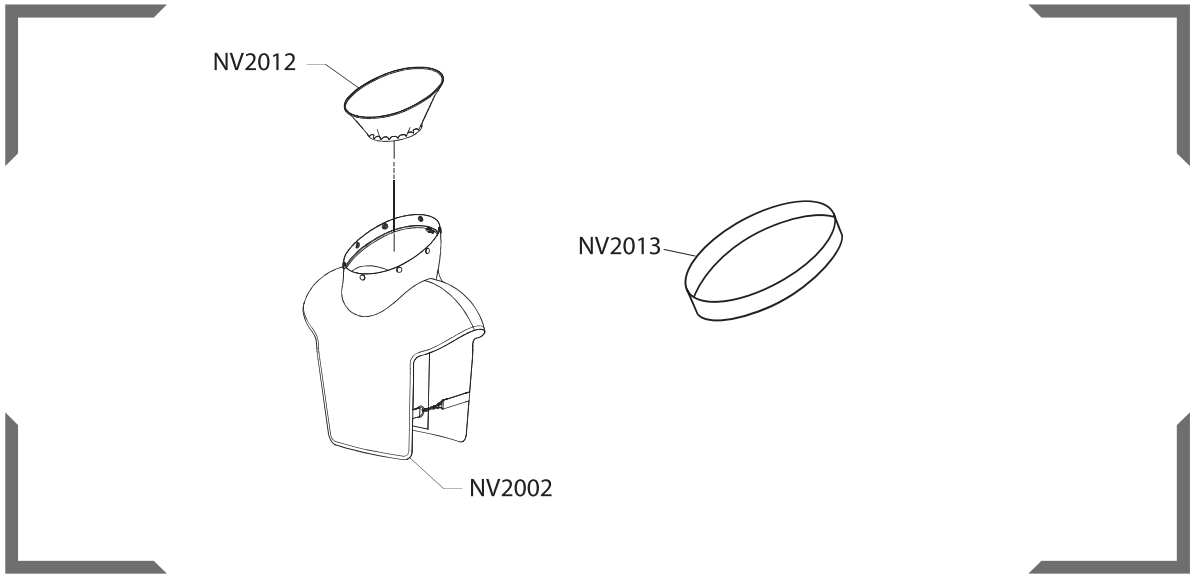
PADDING SYSTEM *FIGURE 6.3*



- NV2009 Polystyrene Helmet Liner (Sizes S, M & L)

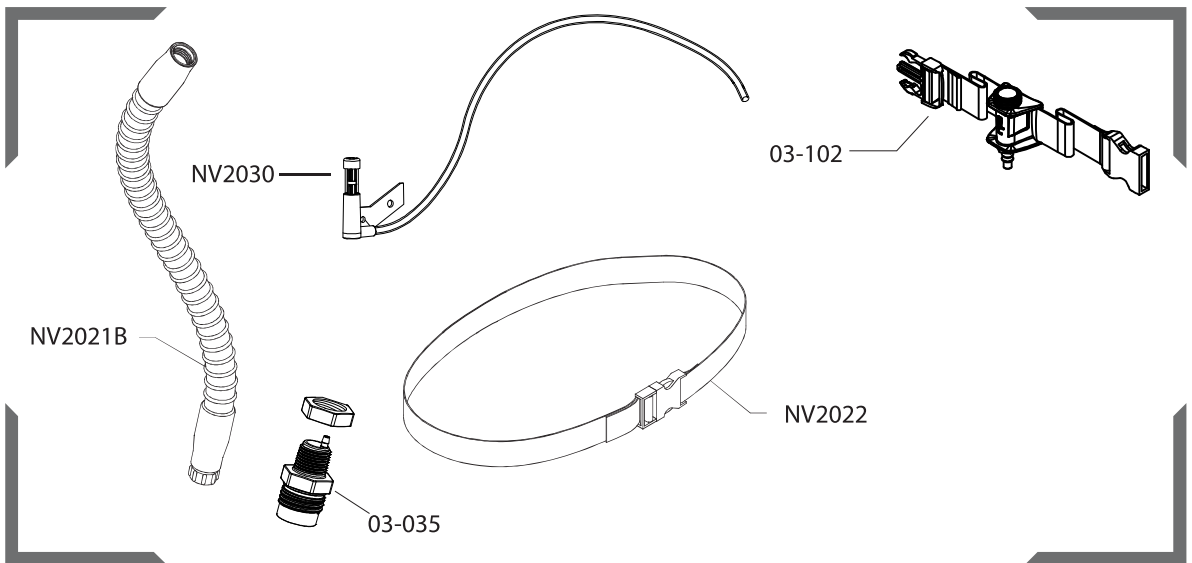
- NV2010 Sidewings (Sizes S, M & L)

RESPIRATOR CAPES *FIGURE 6.4*



- NV2002 28" Nylon Cape
- NV2012 Inner Bib
- NV2013 Cape Cover Band

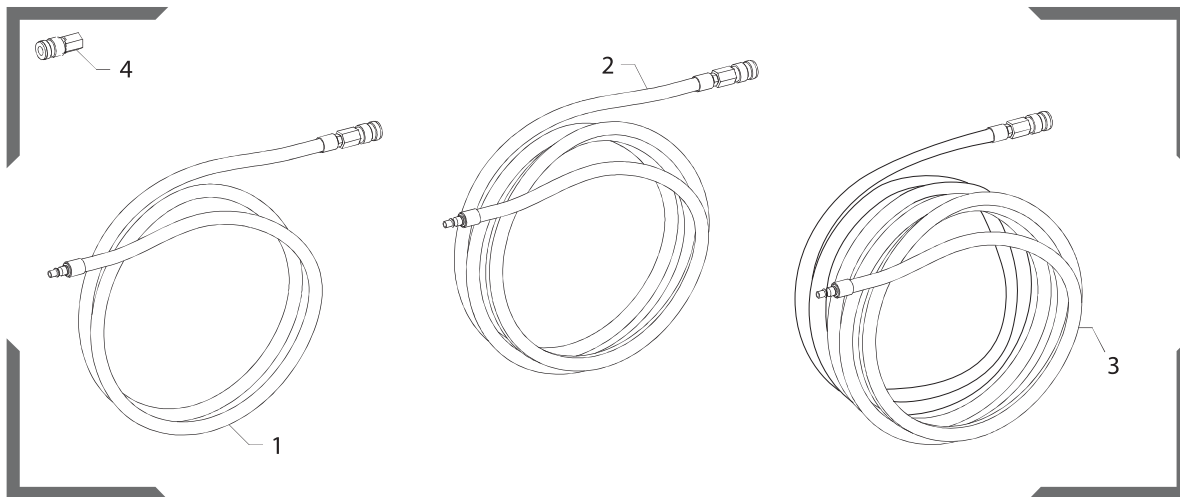
BREATHING TUBE & FLOW CONTROL DEVICES *FIGURE 6.5*



- NV2021B Breathing Tube
- 03-035 Breathing Tube Adaptor (to upgrade the Nova 2000® from the NV2021 to the NV2021B)
- NV2022 Belt
- 03-102 Constant Flow Valve
- NV2030 Low Flow Indicator

PARTS AND ACCESSORIES CONTINUED

BREATHING AIR LINES *Figure 6.6*



Item No.	Description
1	7.5m Breathing Air Line
2	15m Breathing Air Line
3	30m Breathing Air Line
4	Quick Release Coupler

Part No.
04-322-25
04-322-50
04-322-100
03-022-CF